

# golden COMPANION<sup>®</sup>

# & golden COMPANION<sup>™</sup> II Owner's Manual



Companion I



Companion II, 3-wheel



Companion II, 4-wheel



Thank you for purchasing your Companion Scooter. We are honored you have chosen Golden Technologies for your mobility needs. Please note, unless otherwise specified, the term Companion refers to each of the models listed below:

**Companion I – 3 wheel scooters**

GC222 – 300 lb. load capacity

GC223 – 300 lb. load capacity

VA Model – GC221

**Companion II – 3 wheel scooters**

GC323 – 300 lb. load capacity

GC322 – 350 lb. load capacity

GC325 – 350 lb. load capacity

VA Model – GC 321

**Companion II – 4 wheel scooters**

GC422 – 350 lb. load capacity

VA Model – GC 421

**Standard Packing List:**

- 1 Owner's Manual
- 2 Battery Cables with Hardware
- 1 Front Basket
- 1 Seat with Arms
- 2 Keys
- 1 Lap Belt

**DISCLAIMER**

**We ask that you read this manual completely before operating your new Companion. Golden Technologies, Inc. is not and cannot be held responsible for any damage or injury incurred due to improper or unsafe use of the Golden Companion scooter. Golden Technologies, Inc. specifically disclaims responsibility for any bodily injury or property damage that may occur during any use that does not comply with applicable federal, state, or local laws or ordinances.**

# CONTENTS

---

I.	INTRODUCTION .....	2
II.	SAFETY .....	3
III.	EMI/RFI .....	7
IV.	YOUR GOLDEN COMPANION .....	8
V.	OPERATION .....	10
	Hand Controls .....	10
	Control Options .....	12
	Seat Controls .....	12
	Seating Options .....	13
VI.	RIDING YOUR COMPANION .....	14
	Mounting .....	14
	Basic Driving .....	14
	Control Through Tight Spots .....	15
VII.	DISASSEMBLY .....	17
VIII.	ASSEMBLY .....	21
IX.	TRANSPORTING YOUR COMPANION .....	26
X.	DIAGNOSTICS .....	27
XI.	CARE AND MAINTENANCE .....	30
	Main Circuit Breaker .....	30
	Wheels and Tires .....	31
	If Your Companion Does Not Operate .....	32
	Lubrication .....	32
	Lighting System .....	32
	Charger and Batteries .....	33
	Battery Maintenance .....	34
	Battery Cable Installation .....	34
	Cleaning Your Companion .....	35
XII.	WARRANTY .....	36
	Registration Card .....	37
	Required Owner Information .....	37

# INTRODUCTION

---

Congratulations on the purchase of your new Golden Companion scooter. The Companion, the Companion II, and the four-wheel Companion II all combine cutting edge technology with attractive designs that are also highly functional in today's world. We at Golden Technologies, Inc. know that you have chosen a scooter that will give you years of dependable operation and also will enhance the quality of your life by providing you with the mobility to experience an active daily life-style.

Even though your new Companion is both user-friendly and designed for maximum maneuverability in even the tightest spaces, we ask that you please read, understand and follow all of the instructions and suggestions in this manual before you operate your Companion for the first time. The safe use of your new scooter is very important to us.

If you feel that you do not understand the instructions and suggestions presented in this owner's manual, or if, for any reason, you do not feel capable of performing the activities necessary to assemble, disassemble, operate, or maintain your Companion, please contact your local Golden Technologies, Inc. representative or call Golden Technologies, Inc. Technical Support Services at (800) 624-6374.

Golden Technologies, Inc. cannot be held responsible for personal injury or property damage resulting from the unsafe or the improper use of any of our broad range of health and personal mobility products. Also, Golden Technologies, Inc. cannot be held responsible for personal injury or property damage resulting from attempts to follow instructions, suggestions, and guidelines presented in this owner's manual.

Our Research and Development Department, our Quality Control Department, and our Engineering Department have used the latest product specifications and the latest product design information to produce this owner's manual. Golden Technologies, Inc. reserves the right to implement changes into our product lines when those changes become desirable or necessary. If changes are implemented into our product line, there may be minor differences between the product you purchased and the illustrations and instructions in this owner's manual.

Please fill out and mail the enclosed warranty registration card. We at Golden Technologies, Inc. would appreciate hearing about the dependability of your Companion and about the convenience of mobility it has provided for you. We would also appreciate hearing about the service you received from your local Golden Technologies, Inc. dealer or representative.

Golden Technologies, Inc.  
401 Bridge Street  
Old Forge, PA 18518

Phone: (570) 451-7477  
Fax: (570) 451-7494  
Toll free: (800) 624-6374  
Web Site: [www.goldentech.com](http://www.goldentech.com)

# SAFETY

---

Your Golden Companion is a battery-operated personal mobility vehicle. Please exercise caution and consideration when you are operating it. Driving your Companion carefully and thoughtfully will help ensure your personal safety and the safety of other people.

**NOTE: Before learning to operate your Companion, have your authorized Golden Technologies, Inc. dealer determine if it is advisable for you to practice getting on and off your Companion and operating it in the presence of an attendant.**

## BEFORE GETTING ON YOUR COMPANION

- Check to be certain that the power is turned off. See section V. “Operation” in this manual. This will eliminate the possibility of accidentally activating the paddle controls and causing injury to yourself or to others.
- Check to be certain that your Companion’s brake handle is in the engaged position. See section VII. “Disassembly” in this manual.
- Flip up the armrests.

**WARNING: When getting on or off your Companion, do not put most or all of your weight on the edge of the deck. Doing so may cause the scooter to become unstable.**



## GETTING ON YOUR COMPANION

- Position the seat for safe and easy mounting. See section V. “Operation.”
- Return tiller to full upright position
- Carefully place one foot on the approximate center of the deck and seat yourself comfortably and securely on the seat.
- Fasten the lap belt, if your scooter is so equipped.
- Flip down or replace the armrests.

## GETTING OFF YOUR COMPANION

- Make certain that the power is turned off and the key is removed.
- Return tiller to full upright position
- Flip up or remove the armrests.
- Unfasten the lap belt.
- Carefully place one foot on the ground, transfer your weight to that leg, and slowly come to a standing position.
- Step away from the scooter.

## MAXIMUM WEIGHT

Your Companion has been rated to a maximum payload (operator and anything else being carried on the Companion) of 300 pounds for the Companion I and 350 pounds for the Companion II. Exceeding the maximum weight rating will void the warranty.

**WARNING: Exceeding the maximum weight rating may result in injury to yourself and to others.**



# SAFETY

---

## DRIVING ON AN INCLINE

- For maximum stability, lean forward in your Companion's seat while proceeding up ramps, slopes, curbs, or any low rise. See figure 1.
- Drive with caution when attempting to negotiate any incline, even handicap access ramps.
- Always climb or descend a gradient by driving straight up or straight down the face of the slope. See figure 1.
- Do not traverse or drive across the face of the gradient. See figure 2.
- Do not attempt to negotiate an incline that is covered with snow, ice, cut or wet grass, leaves, or any other potentially hazardous material.
- Do not back down an incline.
- Try to keep your Companion moving when climbing an incline. If you do come to a stop, restart and accelerate slowly and carefully.
- Do not try to descend or climb a slope whose gradient is greater than recommended. See "Specifications" on page 9.



FIGURE 1. GOING UP AN INCLINE



FIGURE 2. TRAVERSING A SLOPE

**WARNING:** If, while you are driving down a slope, your scooter starts to move faster than you feel is safe, release the thumb lever and allow your Companion to come to a stop. When you feel that you again have control of your scooter, push the thumb lever forward and continue safely down the remainder of the slope.



## DRIVING DOWN AN INCLINE

- **Lower speed setting**
- Whenever it is safely possible, drive forward down any ramp, low rise, or incline.

Golden Technologies, Inc. does not recommend that you drive your scooter in reverse down any incline, ramp, curb, or low rise. Backing down any slope may create a very hazardous situation.

If it is necessary to back down a slope follow one of two procedures.

# SAFETY

---

**NOTE: When using either of the following procedures to back down a slope, Golden Technologies, Inc. strongly advises that you have the assistance of another person.**

## Procedure 1

1. Set the key switch to the “Off” position. See section V. “Operation.”
2. Dismount your Companion.
3. Put your scooter in the freewheel mode. See section VII. “Disassembly.”
4. While standing alongside the scooter, carefully manually maneuver it down the slope.
5. When you have reached a level surface at the bottom of the slope, position the free-wheel lever in the engaged position. See section VII. “Disassembly.”
6. Carefully remount your Companion and resume normal operation.

**WARNING: When your scooter is in freewheel mode, the brake is released. The weight of the scooter on a slope may cause you to lose control of the scooter. If you do not feel capable of manually controlling your scooter down the slope, request assistance or do not attempt to use this procedure.**



## Procedure 2

1. Set the key switch to the “Off position. See section V. “Operation.”
2. Dismount your Companion.
3. Set the key switch to the “On” position. See section V. “Operation.”
4. While standing alongside your scooter, carefully operate the controls at the lowest speed setting. See section V. “Operation.”
5. Slowly and carefully back your scooter down the incline.
6. Carefully remount your Companion and resume normal operation.

## MEDICATION

Always check with your physician to determine if any of the medications you are taking may affect your judgement and/or your ability to operate your Companion. Also check with your physician concerning your physical ability to operate a scooter.

**WARNING: Do not connect or allow anyone except an authorized Golden Technologies, Inc. representative to connect any electrical or mechanical device to your Companion. Unauthorized accessories will void the warranty and may cause injury.**



Please use your Golden Companion scooter often and allow it to expand the horizons of your daily life. The more mobility your Golden Companion brings to you, the happier you will be, and the more satisfied we at Golden Technologies, Inc. will be! But as with

# SAFETY

---

all things, especially motor operated vehicles, observing a few rules and safety considerations will help ensure safe scooter operation. So please follow the rules below.

**NOTE: Please remember that while on your Golden Companion, you are a motorized pedestrian. You must observe and obey all pedestrian rules and regulations for the locale in which you are riding.**

## **RULES FOR USE AND OTHER SAFETY CONSIDERATIONS**

- Read completely and understand this owner's manual before assembling, operating, transporting, or disassembling your Golden Companion.
- Always operate your Golden Companion with thought, care, and safety.
- Do not attempt to use your Companion on an escalator. Always use an elevator.
- Do not carry passengers under any circumstances.
- Do not mount or dismount your Golden Companion unless the brake is engaged.
- Always make sure that the key switch is set to "Off" before mounting or dismounting your scooter.
- Do not back your Golden Companion down an incline or across an uneven surface.
- Do not turn your scooter suddenly at full speed.
- Always make sure the seat is locked forward before operating your Companion.
- Always come to a full stop before changing direction from forward to reverse or from reverse to forward.
- Do not operate your Companion where you could not safely or legally walk.
- Do not climb ramps or curbs that exceed your scooter's capacity.
- Always approach curbs and inclines straight on.
- Always turn on your scooter's lights when operating near traffic, at night, and in any poorly lit area.
- Always be aware of and careful near mechanical pinch points (for example, when mating the rear carriage to the front frame—see the note on page 21) especially when assembling and disassembling your scooter.
- Never sit on your Companion when it is being transported.
- Always fasten down your Companion securely with an approved tie-down system while transporting your scooter.
- When your Companion is being transported, make certain that it is securely fastened down with an approved tie-down system.
- Never operate your vehicle if it is not functioning properly.
- Always use caution when driving on soft or uneven surfaces such as grass, gravel. Also use caution on decks where there is no railing.
- Never drive on the roadway, except when you must cross the street.
- Always cross streets at intersections and use crosswalks or the most direct route, making sure that your path is clear and that you are visible to motor traffic.
- Never drive your Companion up or down a step or curb that is higher than three inches.
- Never back up or down a step or curb.
- Never operate your Companion while you are under the influence of alcohol.



## EMI/RFI

---

The rapid development of electronics, especially in the area of communications, has saturated our environment with electromagnetic (radio) waves that are emitted by television transmitters, cellular phones, citizen's band radios (CBs), amateur radios (ham radios), wireless computer links, microwave transmitters, paging transmitters, etc. These electromagnetic (EM) waves are invisible and increase in strength the closer one gets to the source of transmission. When these energy waves act upon electrical devices and cause them to malfunction or to function in an erratic or uncontrolled manner, they are referred to as Electromagnetic Interference (EMI) or Radio Frequency Interference (RFI).

### EMI/RFI AND YOUR COMPANION

All electrically powered vehicles, including scooters are susceptible to Electromagnetic Interference/Radio Frequency Interference (EMI/RFI). This interference could result in abnormal, unintended movement of your Golden Companion.

**WARNING: Unintended movement or brake release could cause an accident or injury.**



The FDA has determined that each make and model of scooter can resist EMI/RFI to a certain level. The higher the level of resistance, the greater the degree of protection from EMI/RFI—measured in volts per meter (V/m). The FDA has also determined that current technology is capable of providing 20 V/m of resistance to EMI/RFI, which would provide useful protection against common sources of interference. The resistance level of the Golden Companion to EMI/RFI is not known.

### EMI/RFI RECOMMENDATIONS

- Do not turn on or use hand-held personal electronic communication devices such as cellular phones, walkie-talkies, and CB radios while your scooter is turned on.
- Be aware of any nearby transmitters (radio, television, microwave, etc.) on your intended route and avoid operating your scooter close to any of those transmitters.
- Turn off the power if your Companion is going to be in a stationary position for any length of time.
- Be aware that adding accessories or components or modifying your scooter may make it more susceptible to EMI/RFI.
- If unintended movement or brake release occurs, turn your scooter off as soon as it is safe to do so.
- Report all incidents of unintended movement or brake failure to Golden Technologies, Inc. Technical Service at (800) 624-6374.

**WARNING: Turn off your scooter as soon as it is safely possible if unintended or uncontrollable motion occurs or if unintended brake release occurs.**



# YOUR GOLDEN COMPANION

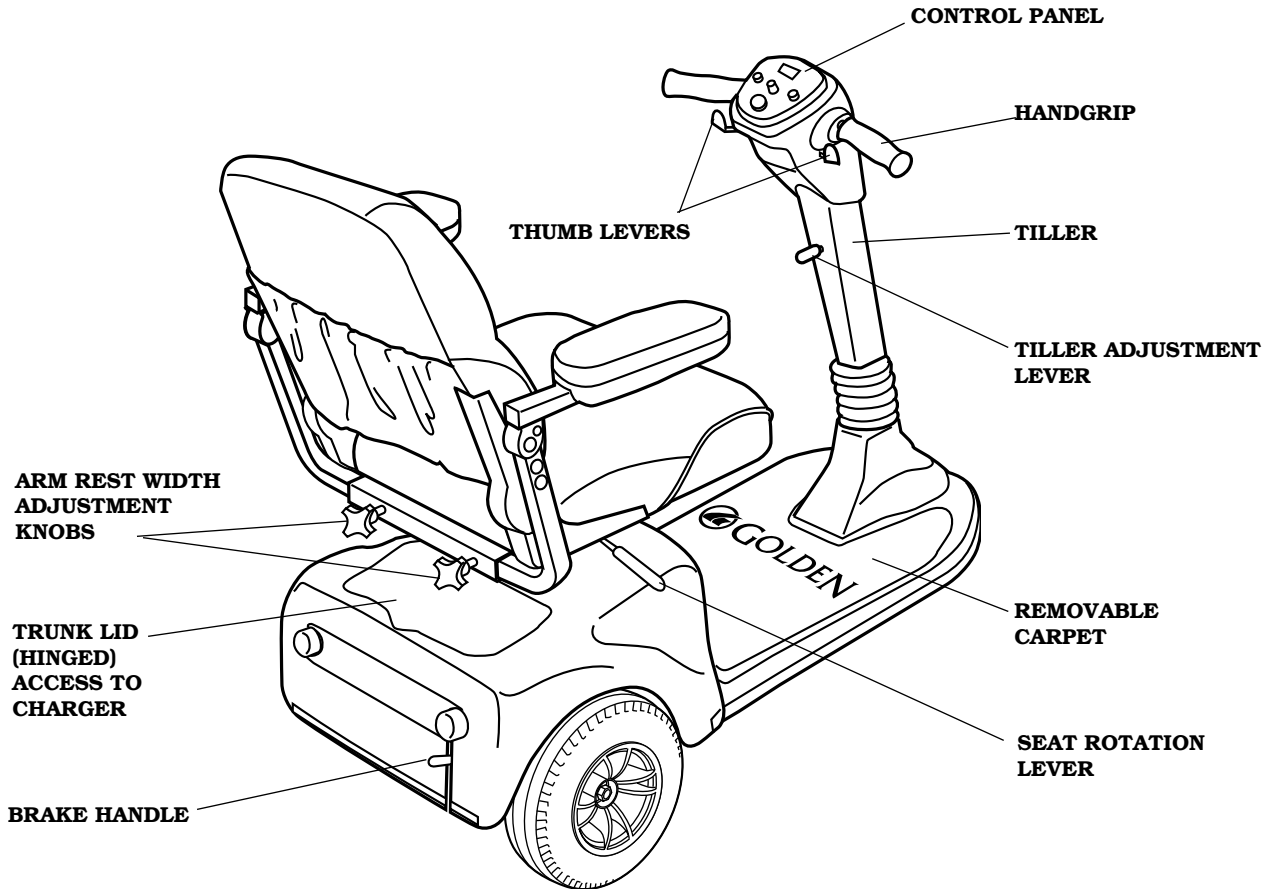


FIGURE 3. YOUR GOLDEN COMPANION

## FOR YOUR RECORDS

Please fill in your Companion's information below. This information will be useful in the event- that you ever need to contact Golden Technologies, Inc. concerning your scooter.

Your Companion

Model \_\_\_\_\_ Serial Number \_\_\_\_\_ (under carpet: right rear)

Date of Purchase \_\_\_\_\_ Body Color \_\_\_\_\_

Options \_\_\_\_\_

Place of Purchase \_\_\_\_\_

Name \_\_\_\_\_

Company \_\_\_\_\_

Address \_\_\_\_\_

\_\_\_\_\_

Please remember to fill in and return your warranty registration card. (page 37)

## YOUR GOLDEN COMPANION

Specifications	GC221 / GC222	GC223	GC321 / GC322
Length	41.7"	41.7"	46"
Width	24"	24"	24"
Tires			
Front	7 3/4"	7 3/4"	9"
Rear	8 3/4"	8 3/4"	10"
Weight capacity	300 lbs	300 lbs	350 lbs
Maximum speed	4 1/2 mph	4 1/2 mph	5.8 mph
Ground clearance	3 1/2 "	3 1/2 "	4"
Operating range (miles)	up to 32*	up to 32*	up to 21*
Turning radius	37"	37"	48"
Batteries (2)	Type U-1	Type U-1	Type U-1
Weight	108 lbs	108 lbs	116 lbs
with batteries	156 lbs	156 lbs	164 lbs
Freewheel mode	Yes	Yes	Yes
Maximum safe incline	6 degrees	7.5 degrees	6 degrees
Electronic speed control	Yes	Yes	Yes
Brakes	Electromechanical		
Charger	On-board		
Rear-wheel drive	Sealed transaxle Motor, 24 VDC		
Warranty	Limited Life-Time		

Specifications	GC323	GC325	GC421 / GC422
Length	46"	46"	49.5"
Width	24"	24"	24"
Tires			
Front	9"	9"	9"
Rear	10"	10"	10"
Weight capacity	300 lbs	350 lbs	350 lbs
Maximum speed	5.8 mph	5.8 mph	5.5 mph
Ground clearance	4"	4"	4"
Operating range (miles)	up to 21*	up to 21*	up to 23*
Turning radius	48"	48"	57"
Batteries (2)	Type U-1	Type U-1	Type U-1
Weight	116 lbs	116 lbs	128 lbs
with batteries	164 lbs	164 lbs	176
Freewheel mode	Yes	Yes	Yes
Maximum safe incline	7.5 degrees	7.5 degrees	6 degrees
Electronic speed control	Yes	Yes	Yes
Brakes	Electromechanical		
Charger	On-board		
Rear-wheel drive	Sealed transaxle Motor, 24 VDC		
Warranty	Limited Life-time		

# OPERATION

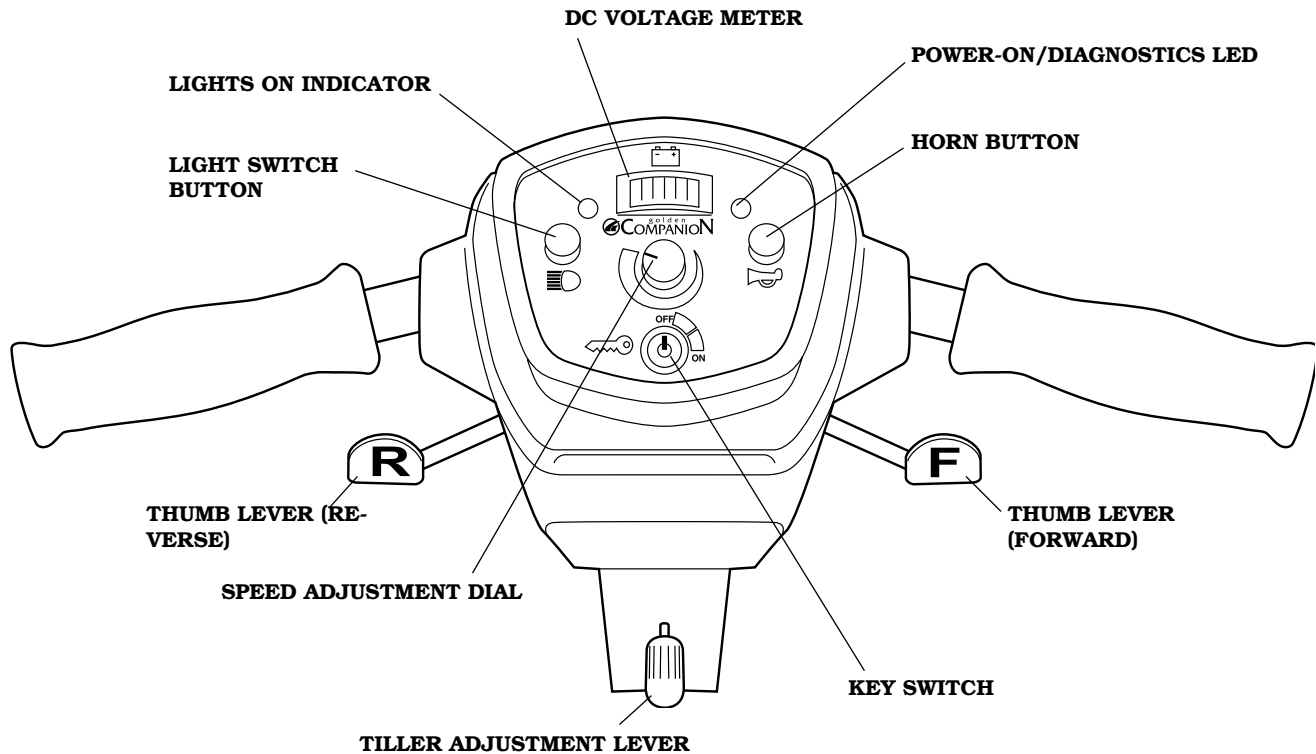


FIGURE 4. CONTROL PANEL

## HAND CONTROLS

### Speed Adjustment Dial

The speed adjustment dial allows you to preselect the maximum top speed of your Golden Companion.

- Turn the dial completely counterclockwise to operate your scooter at the lowest speed level.
- Turn the dial completely clockwise to increase the operational speed of your scooter.

We recommend that you select a speed setting at which you feel comfortable, safe, and in control of your Companion.

### Key Switch

This switch turns the power on and off to your Companion.

- Insert the key into the key switch.
- Turn the key 90 degrees clockwise to turn on your scooter's power.
- Turn the key back to the vertical position to turn off your scooter's power.

**NOTE: Always make certain that the key is removed from the key switch before getting on or off your Golden Companion.**

# OPERATION

---

When the power to your Companion is turned on, the Power On/Diagnostics LED (Light Emitting Diode) will light up. This LED is used for diagnosing operational problems that may arise. See section X. "Diagnostics."

## **Horn Button**

Press this button to sound the horn.

## **Light Switch Button**

This button operates your Companion's lighting system.

- Press the button once to turn on your scooter's lights.
- Press the button a second time to turn off the lights.

**NOTE: The lights on your Companion are for safety purposes only! They were designed for you to be seen and not for driving at night.**

## **Lights-on LED**

This LED will illuminate when you have your Companion's lights turned on.

## **Thumb Lever Control**

This self-centering lever system controls your Companion's speed (up to the maximum speed set by the speed adjustment dial) and its forward and reverse direction. This control system is also called the "wigwag."

To drive forward:

- Place your hands on the handgrips.
- Use your thumbs to operate the lever controls.
- Use your right thumb to press lightly on the "F" (forward motion) lever to move your scooter forward.
- Increase the pressure applied by your thumb to increase your forward speed.
- To stop your Companion, release all pressure on the lever. The lever will automatically return to the center (neutral) position and your scooter will come to a gradual stop. The brake will automatically engage.

**NOTE: Always bring your Companion to a full stop before changing direction from forward to reverse, or from reverse to forward.**

To drive in reverse:

- Place your hands on the handgrips.
- Use your thumbs to operate the lever controls.
- Use your left thumb to press lightly on the "R" (reverse motion), lever to move your scooter in reverse. A back-up beeper will sound to inform others of your movement.
- Increase the pressure applied by your thumb to increase your reverse speed.
- To stop your Companion, release all pressure on the lever. The lever will automatically return to the center (neutral) position and your scooter will come to a gradual stop.

## **DC Voltage Meter**

This meter (see figure 4) shows the amount of voltage in your Companion's batteries.

# OPERATION

---

- Green indicates a full charge on the batteries.
- Yellow indicates caution and approximately a one-half charge of the batteries.
- Red indicates that the batteries have less than one-half of a charge remaining. See section XI. "Care and Maintenance" for instruction concerning charging the batteries.

**NOTE: Your scooter will automatically turn itself off if the battery output falls to or below 17.5 VDC.**

## **Tiller Adjustment Lever**

The Tiller on your Companion scooter employs a pneumatic piston to provide you with infinite tiller angle settings for your driving comfort.

- Use one hand to grasp a handgrip.
- Use your other hand to push down and hold the tiller adjustment lever (see figure 4).
- Position the tiller at a comfortable and safe operating angle.
- Release the tiller adjustment lever. It will automatically lock the tiller at the selected angle.

## **CONTROL OPTIONS**

Golden Technologies, Inc. has made provision for the individual needs and abilities of the operators of the Golden Companion.

Your authorized Golden Technologies, Inc. dealer can reverse the thumb lever controls so that when you push on the "left" lever, your scooter will move in the forward direction, and pushing on the "right" lever will move your scooter in reverse.

The Companion line can be equipped with a 110 amp controller. Normally the controller is rated at 70 amps.

## **SEATING CONTROLS**

### **Armrest Height Adjustment**

The armrest height can be adjusted three-quarters of an inch or one and one-half inches to comfortably fit the operator.

1. Use a 5 mm metric Allen wrench\* to remove the two screws and washers that hold the armrest in place. See figure 5.
2. Raise or lower the armrest to the desired height while aligning the holes in the armrest and the armrest L-bracket.
3. Position a washer on each screw removed in step 1.
4. Use the Allen wrench to reinstall and tighten the two screws.

**NOTE: All hardware is metric. The use of standard wrenches will strip hardware.**

**Allen screws may be painted and sealed. You may need to apply force to remove these screws.**

\* Tools are not included.

# OPERATION

## Armrest Width Adjustment

To adjust the armrest width:

1. Loosen the adjustment knobs at the rear of the seat. See figure 6.
2. Slide the armrests in or out to the desired width.
3. Tighten the adjustment knobs.

## Seat Height Adjustment

To adjust the seat height:

1. Remove the seat by lifting it straight up.
2. Set the seat aside.
3. Remove the bolt, nut, and washer that hold the seat post in the seat pedestal. See figure 7.
4. Position the seat post at the desired height while aligning the holes in the seat post and the seat pedestal.
5. Reinstall and tighten the nut, bolt, and washer. The bolt must be installed from the back of the pedestal, with the nut and washer to the front of the scooter.

## Seat Rotation Lever

The seat can be rotated through 360° and locked at any 45° position.

1. Pull up on the seat rotation lever and rotate the seat to the desired position. See figure 8.
2. Release the handle to lock the seat at any 45° position.

## Flip-up Armrests

Pull up on the end of either armrest to flip it up for easy transfer on and off your Golden Companion. See figure 8.

## SEATING OPTIONS

The Golden Companion seat is available in a variety of colors and fabrics, including vinyl.

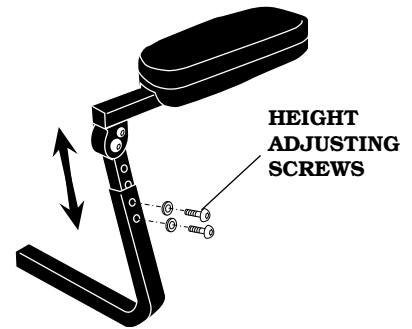


FIGURE 5. ARMREST HEIGHT

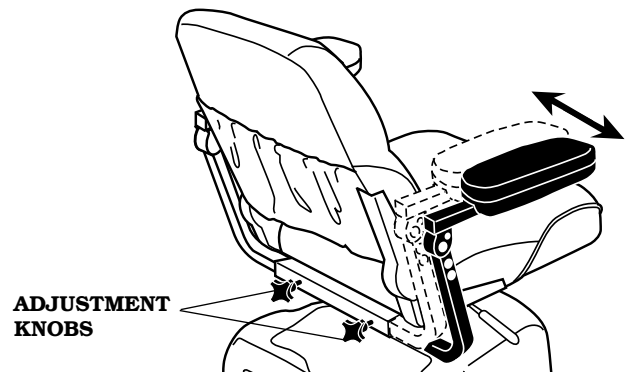


FIGURE 6. ARMREST WIDTH

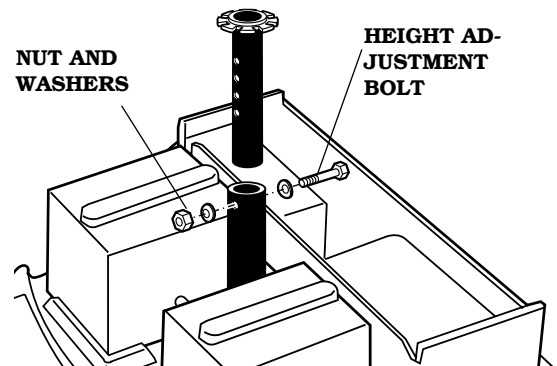


FIGURE 7. SEAT HEIGHT

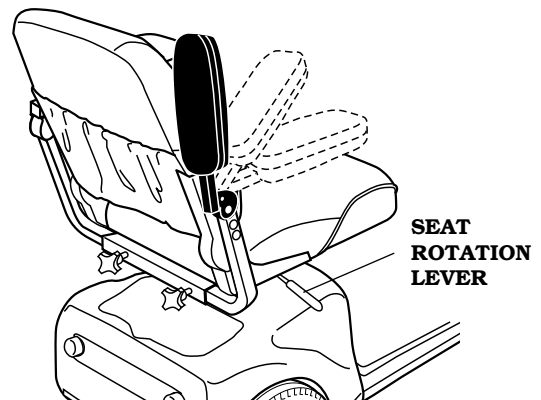


FIGURE 8. FLIP-UP ARMRESTS

# RIDING YOUR COMPANION

## MOUNTING

**NOTE: For your first driving sessions, make certain that your Golden Companion starts out on a level surface and that you will continue driving on a level surface.**

### To Get on Your Companion

1. Stand alongside your Companion and insert the key into the key switch. See figure 4 on page 10 and figure 9 on this page.
  - Do not turn the key switch to the “On” position.
2. Stand behind your Companion.
3. Make certain that the brake handle is in the “up” (engaged) position. See figure 3.
4. Pull up on the seat rotate lever. See figure 8.
  - This lever is normally located on the right-hand side of the seat, but your Companion may be configured to have the lever positioned on either side of the seat.
  - Once the lever is pulled up and held in the “up” position, the seat can be freely rotated.
  - Release the lever to lock the seat into one of the eight preset locking positions.
4. Make certain that the seat is positioned for safe and easy mounting.
5. Position yourself in the seat.
6. Use the seat rotate lever to position the seat so that it is locked in the fully forward direction.
7. Fasten your lap belt, if your Companion is so equipped.

OFF

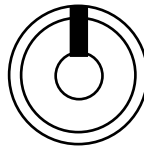


FIGURE 9

ON

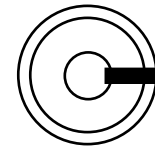


FIGURE 10

## BASIC DRIVING

1. Make certain that you are seated safely and properly on your Golden Companion.
2. Turn the speed control dial fully counterclockwise to its slowest setting.

**NOTE: Reverse movement of the scooter may not occur when the speed control dial is set fully counterclockwise at its slowest setting.**

3. Insert the key into the key switch—if you have not already done so.
4. Turn the key clockwise to the “On” position. See figure 10.
5. Place your hands on the handgrips.
  - If you wish to drive forward, position your right thumb on the “right” thumb lever. See figure 4.
  - If you wish to drive in reverse, position your left thumb on the “left” thumb lever. See figure 4.
6. Press against the thumb lever to gently accelerate your Companion.
7. Release the lever to allow your Companion to come gently to a full stop.
8. Practice these two basic functions until you feel that you have control of your scooter.



# RIDING YOUR COMPANION

---

## Steering

Steering your Golden Companion is easy and logical.

1. With both hands on the handgrips of the tiller (see figure 3), turn the tiller to the right to travel to the right.
2. With both hands on the handgrips of the tiller (see figure 3), turn the tiller to the left to travel to the left.
3. Make certain to maintain sufficient clearance when turning your scooter so that the rear wheels will clear any obstacle.

**NOTE: Turning your scooter too sharply at too high a speed may create a situation where one of the rear wheels will leave the ground and the possibility of tipping the scooter. Avoid this danger at all times by decelerating and steering a wide arc around corners and obstacles.**

## Steering in a Tight Spot

If you must steer in a tight spot, such as entering a doorway or when turning around:

1. Bring your Companion to a full stop.
2. Set speed at a low level.
3. Turn the tiller to the direction in which you wish to drive.
4. Press gently on the appropriate thumb lever. This will make your Companion turn very sharply.

For more information on dealing with obstacle and tight spots, see “Control Through Tight Spots” on this page.

## Steering in Reverse

Backing up your Companion requires attention to what you are doing.

1. Use your left thumb to press against the left thumb lever. See figure 4.
2. Turn the tiller to the left to drive in reverse to the left.
3. Turn the tiller to the right to drive in reverse to the right.

**NOTE: Your Companion's speed in reverse is fifty percent of the maximum speed set at the speed control dial.**

## CONTROL THROUGH TIGHT SPOTS

As you use your Golden Companion to greatly increase your mobility, you will undoubtedly encounter some obstacles that will require practice to negotiate smoothly and safely. Below are some common obstacles that you may meet during the daily use of your scooter. Listed with those obstacles are some driving tips that should help you conquer those obstacles. Learn and follow those tips, and with surprising ease you will soon be in control of your Companion as you maneuver it through doors, up and down ramps, up and over curbs, through grass and gravel, and up and down inclines.

# RIDING YOUR COMPANION

## Ramps

When proceeding up any ramp, curb, or incline:

- Lean forward in your seat to move your center of gravity forward for maximum stability and safety. See figure 11.

If the ramp has a switchback, good cornering ability is required.

- Maneuver your Companion so that the front wheels take wide swings around the corners of the ramp.
- Doing this will allow your scooter's back wheels to follow a wide arc around the corner, staying clear of obstacles.

If you must stop your Companion while driving up a ramp:

- Starting up again simply requires that you apply gentle and steady forward power (pressure to the forward (F) thumb lever).
- Accelerate gently after stopping on any incline.

Driving down a ramp:

- Keep your Companion's speed control dial set fully counterclockwise at the slowest speed setting.
- If you must come to a stop, release the thumb control lever slowly and smoothly.

## Curbs

- Maximum curb height is 3"
- Always use caution when negotiating any curb.
- Go up or down a curb only at a direct 90° angle.
- Approach and negotiate the curb so that both back wheels of your scooter go over the curb at the same time.
- Never negotiate inclines or curbs by traversing them. See figure 12. Doing so may cause the scooter to tip over.
- Go down a curb slowly to avoid a jarring bump. Use as little power as possible.

## Grass and Gravel

Your Golden Companion performs admirably on grass, gravel, and hills, but you must follow the operational parameters presented in this manual. Refer to the "Safety" section. If you are unsure about any situation, avoid it. Common sense is your best protection.

- Feel free to use your Golden Companion on lawns or in park areas.
- Avoid long or high grass, which may wrap around your scooter's axles.



FIGURE 11. ON A RAMP



FIGURE 12. DO NOT TRAVERSE INCLINES OR CURBS

# DISASSEMBLY

## 1. REMOVING THE SEAT

**NOTE: Pinchless seat hinges are standard on all Golden Companion scooters.**

1. Loosen the adjustment knobs. See figure 13.
2. Slide the arms off the scooter.
3. Remove the seat by lifting it straight up and out of the seat post.
4. The seat can be folded for compact storing.

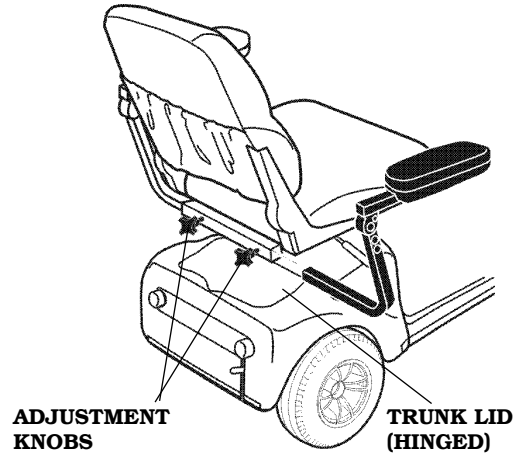


FIGURE 13. REMOVING THE SEAT

## 2. DISCONNECTING THE TAILLIGHT CONNECTOR

1. Open the trunk lid. See figure 13.
2. Disconnect the taillight connector. See figure 14.

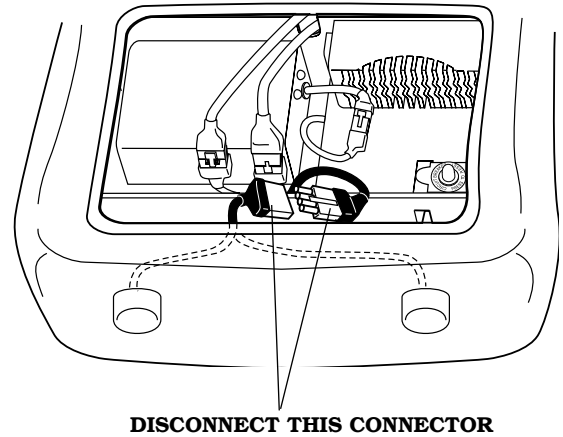


FIGURE 14. TAILLIGHT CONNECTOR (TRUNK LID REMOVED)

## 3. REMOVING THE REAR SHROUD

1. Pull up on the right and left sides of the shroud near the front end. See arrows in figure 15.
2. Lift the shroud up and off the scooter. See figure 15 A.

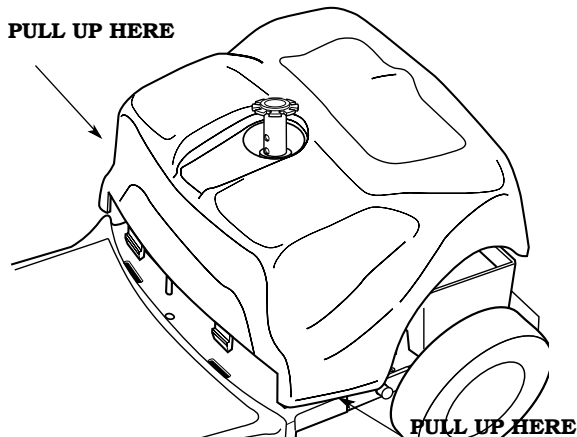


FIGURE 15. REMOVING THE REAR SHROUD

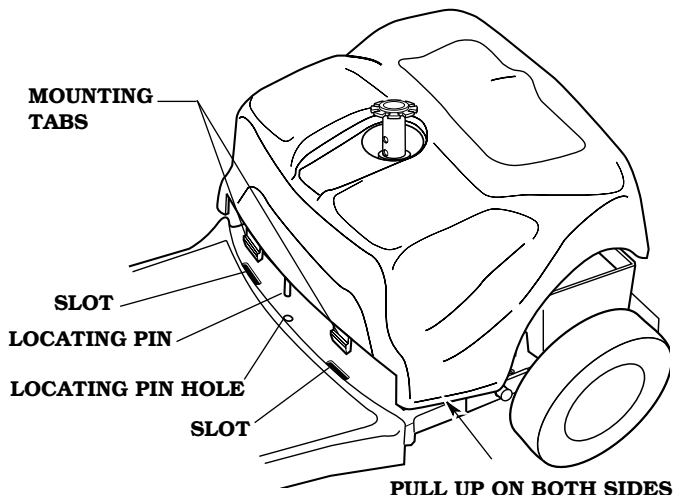


FIGURE 15 A

# DISASSEMBLY

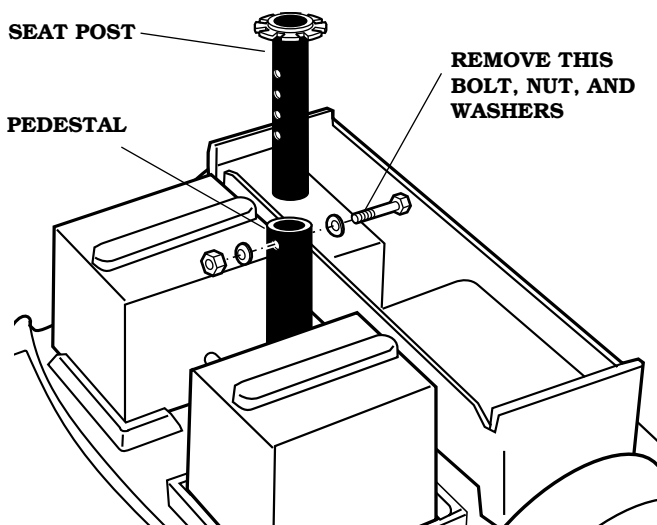


FIGURE 16. REMOVING THE SEAT POST

## 4. REMOVING THE SEAT POST

**NOTE:** This step may not be necessary. We provide instructions in case you do find it necessary to remove the seat post for storage or for replacement.

1. Remove the nut, bolt, and washer. See Figure 16.
2. Pull the seat post up and out of the seat post pedestal.

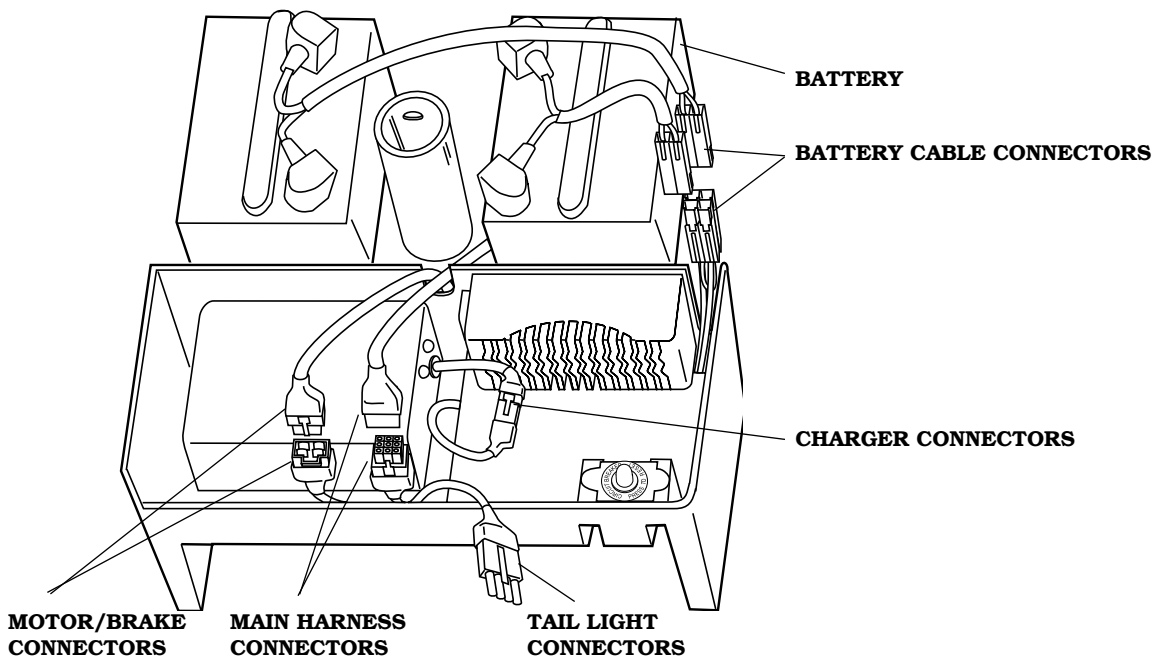


FIGURE 17. BATTERY DISCONNECTION

## 5. REMOVING THE BATTERIES

1. Pull Battery plugs apart
2. Remove the batteries one at a time.

## 6. DISCONNECTING THE MAIN HARNESS CONNECTOR

1. Squeeze the locking ear on the connector. See figure 18.
2. Disconnect the main harness connector from the electrical enclosure. See figure 17.

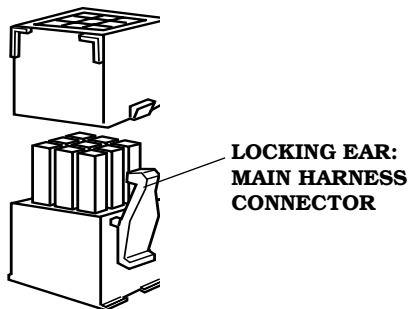


FIGURE 18. LOCKING EAR DETAIL

# DISASSEMBLY

**NOTE:** The motor and the brake connectors (see figure 17) should be disconnected only if you are going to remove the rear electronics enclosure. If is not necessary to remove the charger connector while removing the rear electronics enclosure.

## 7. PUTTING YOUR COMPANION IN FREE-WHEEL MODE

Your Golden Companion is equipped with a brake handle (see figure 19) that can set your scooter in or out of freewheel mode.

To disengage the brake and put your scooter in freewheel mode:

Push down on the brake handle.

To engage the brake and take your scooter out of freewheel mode:

Pull up on the brake handle.

Setting your scooter in freewheel mode during disassembly and assembly helps with the maneuvering of the rear carriage away from the front frame.

Pushing the scooter too quickly in freewheel will cause the motor to act as a generator causing the scooter to become difficult to push. Freewheel slowly.

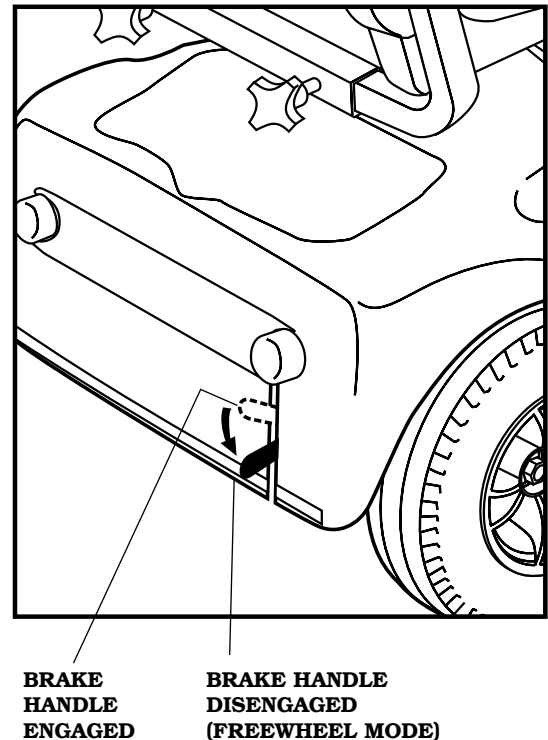


FIGURE 19. BRAKE HANDLE

### WARNING:



- Never set your Companion in freewheel mode when it is on an incline.
- Never push down on the brake handle while you are operating your Companion.
- Always make certain that your scooter is not in freewheel mode before inserting the key into the key switch.

**WARNING:** Do not sit in or attempt to move your Companion unless the frame and rear carriage are securely engaged. Accidental separation of the frame from the rear carriage may occur and cause injury or damage.



## DISSASSEMBLY

---

**8.** Locate the Red "T" Handle and Latch on frame assembly. (Fig. 20)

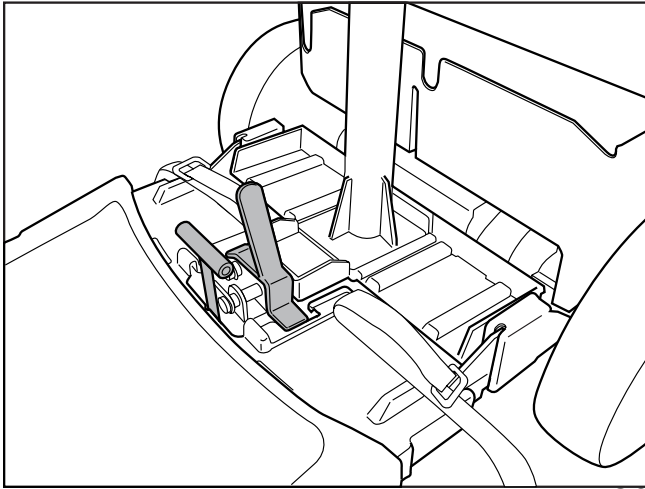


Fig. 20

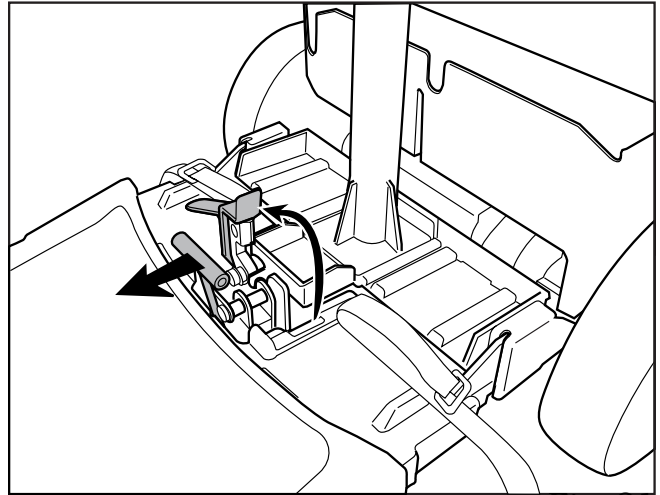


Fig. 21

**9.** Grasp the handle and pull it toward the front of the scooter to release the latch. (Fig. 21)

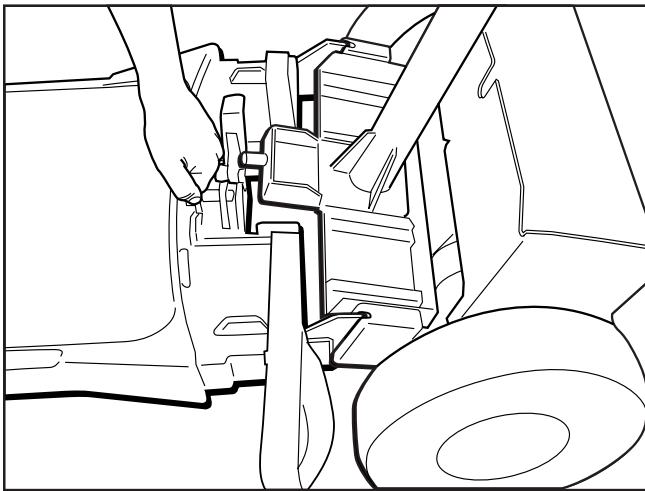


Fig. 22

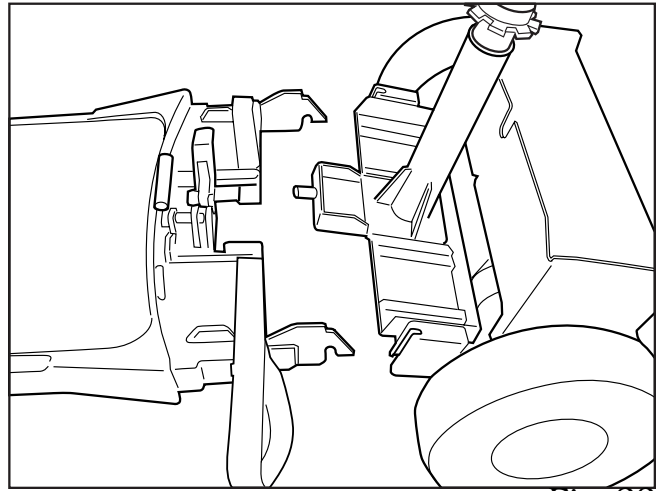


Fig. 23

**10.** The latch will swing open. Now simply lift the "T" handle and the unit comes apart. (Fig. 22 and Fig. 23)

# ASSEMBLY

---

1. To reconnect the frame, lift the "T" handle and guide the front frame hooks into the rear frame sockets. It helps to stabilize the rear frame by holding the seat post. (Fig.24 and Fig. 25)

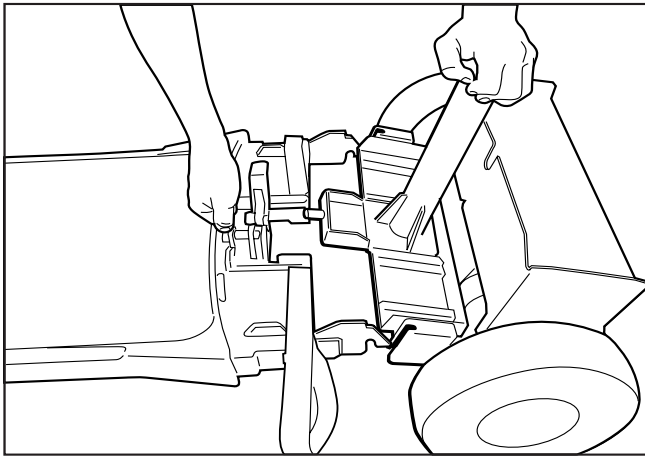


Fig. 24

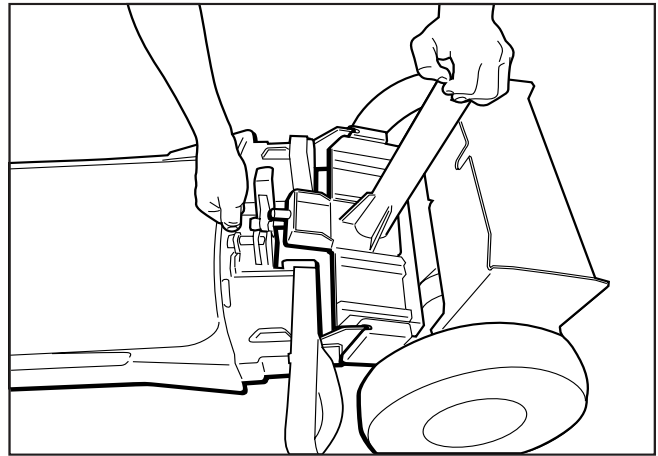


Fig. 25

2. Now swing the latch into the locked position. You will hear and feel a positive snap when the latch engages. (Fig. 26 and Fig. 27)

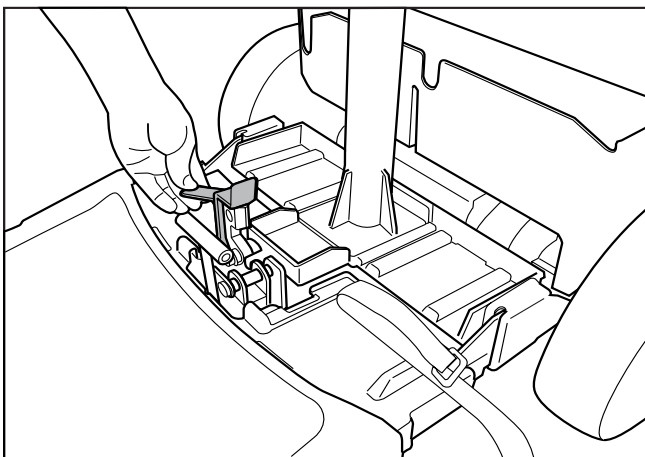


Fig. 26

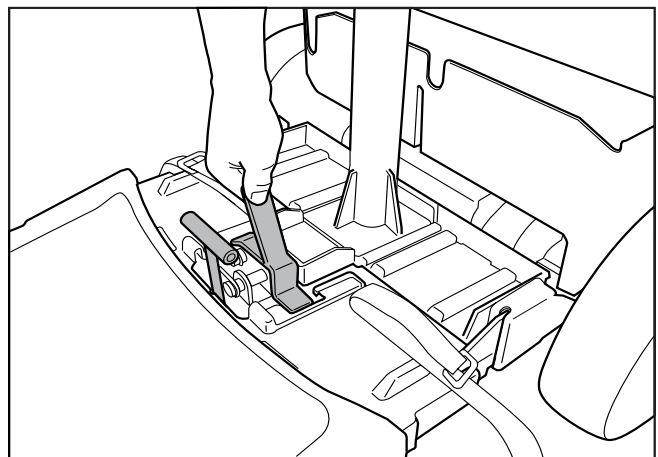


Fig. 27

- 3.** You will notice that you cannot place the batteries into the unit, unless the latch is fully engaged. (Fig. 28)

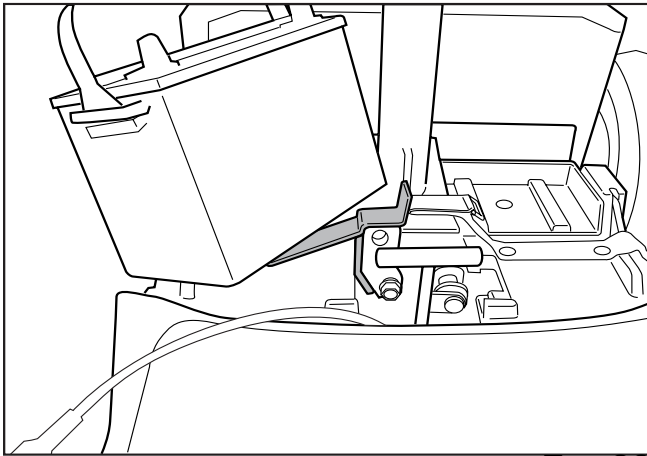


Fig. 28

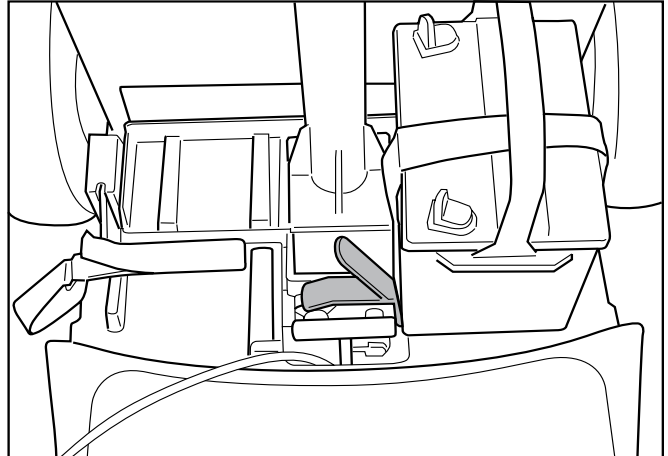


Fig. 29

- 4.** When the left battery is properly placed, and secured with hook and loop strap, it acts as a secondary securing mechanism for the latch. (Fig. 29)

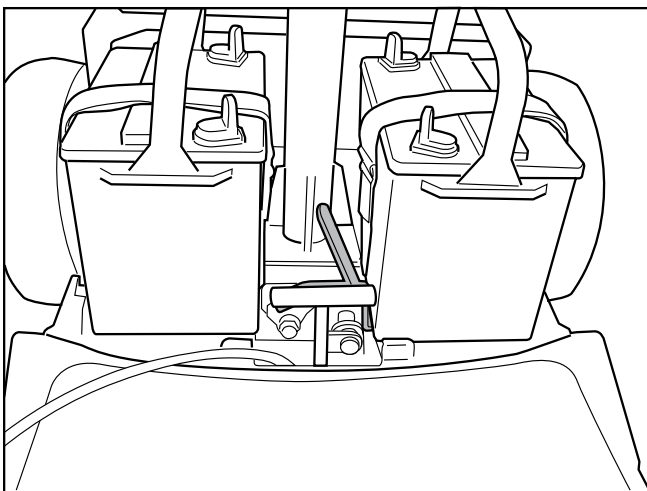


Fig. 30

- 5.** The figure above shows the batteries properly placed and secured with hook and loop straps and the latch properly engaged. (Fig. 30)



# ASSEMBLY

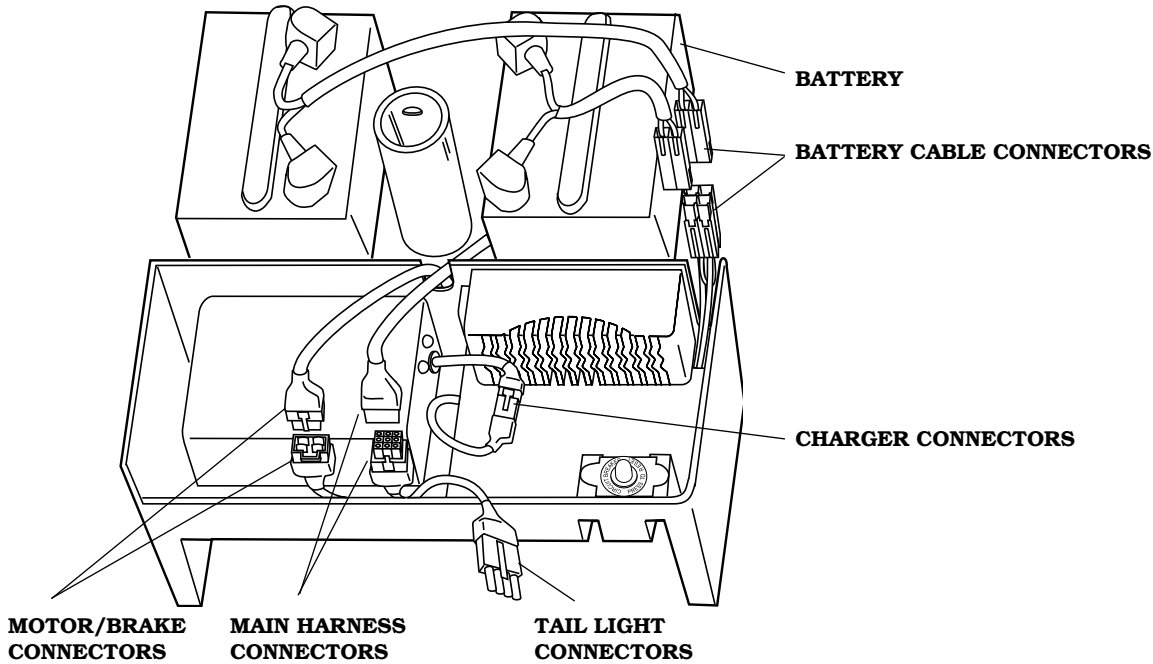


FIGURE 31. ELECTRICAL CONNECTIONS

## 6. ELECTRICAL CONNECTIONS

**NOTE:** The electrical connectors on your Companion have been designed so that only the correct connector will fit in its appropriate mating/plug receptacle.

When inserting a connector into its mating plug receptacle, make certain that the locking ears (see figure 18, page 18, for example of locking ears) “click” into place.

See figure 31.

Connect the motor/brake connector, if it has been disconnected.

## 7. SET THE BRAKE HANDLE

1. Move the brake handle to the engaged “up” position. See figure 32.

**NOTE:** Your Companion will only operate if the brake handle is left in the engaged “up” position.

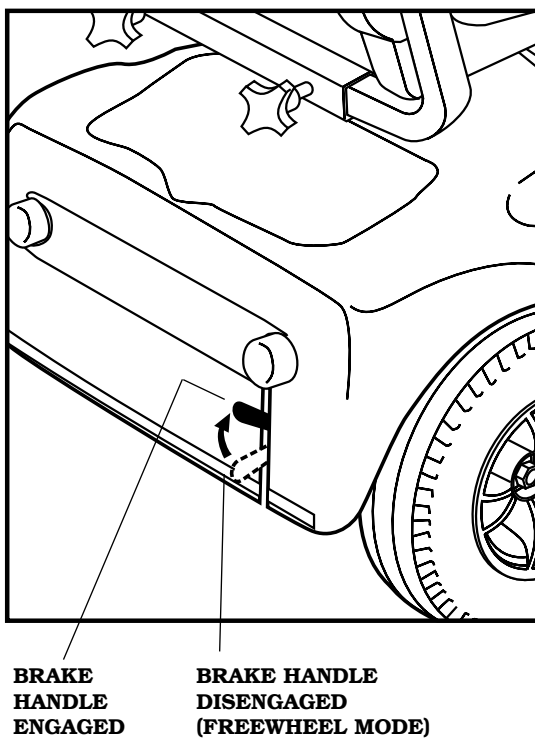


FIGURE 32. BRAKE HANDLE

# ASSEMBLY

## 8. INSTALL THE SEAT POST

If the seat post was not removed, proceed to step 9.

If the seat post was removed:

1. Insert the seat post into the seat post pedestal. See figure 33.
2. Align holes in the seat post with the holes in the seat post pedestal to set the desired height for the seat.
3. Install the bolt through the aligned holes, starting at the rear of the pedestal.
4. Install the washer.
5. Install and tighten the nut.

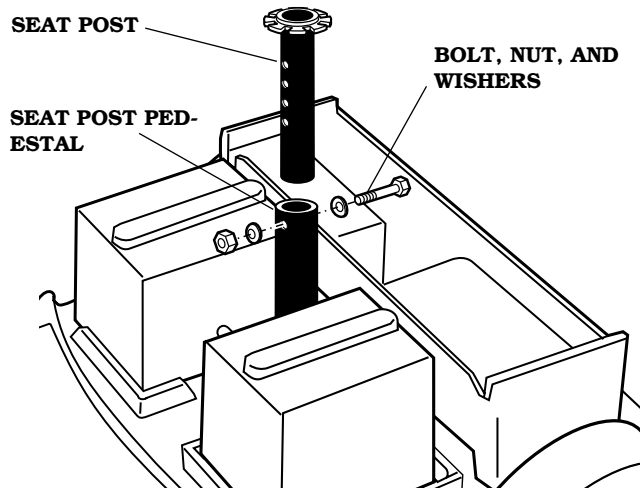


FIGURE 33. SEAT POST INSTALLATION

## 9. INSTALL THE REAR SHROUD

1. Carefully lower the shroud over the seat post. See figure 34.
2. Align the locating pin with the locating pin hole.
3. Align the mounting tabs with their corresponding slots.
4. Gently push down on the shroud until it locks into place.

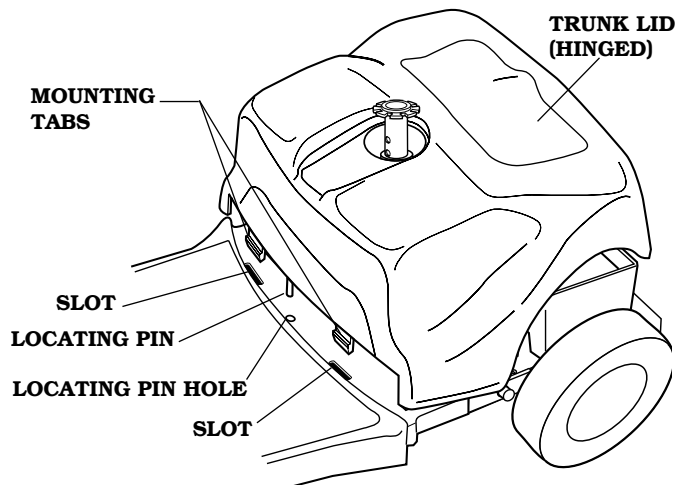


FIGURE 34. SHROUD INSTALLATION

## 10. CONNECT THE TAILLIGHTS

1. Position the taillight connector to fit into the taillight connector socket. See figure 35 (rear shroud shown with trunk lid opened).
2. Push the connector firmly into the socket.

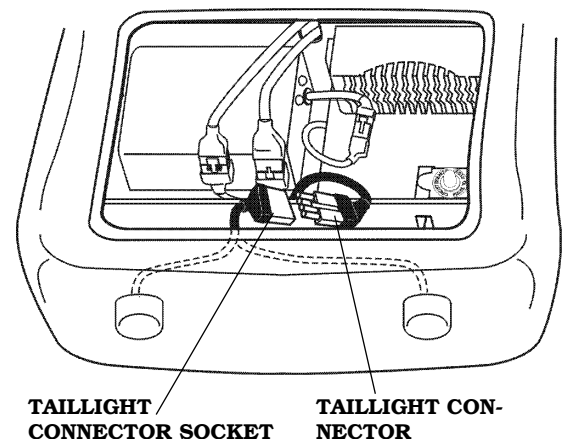


FIGURE 35. TAILLIGHT CONNECTOR

# ASSEMBLY

**WARNING:** Do not sit in or attempt to move your Companion unless the frame and rear carriage are securely engaged. Accidental separation of the frame from the rear carriage may occur and cause injury or damage.



## 11. INSTALL THE SEAT

1. Make certain that the seat post is mounted in the seat post pedestal and adjusted to the desired height. See assembly step 6.
2. Lift seat and position the seat swivel post into the seat post. See figure 36.
3. Push down on the seat to make certain that the seat swivel post is fully inserted and locked. See figure 37.

**WARNING:** Failing to assure proper installation of the seat could result in injury.

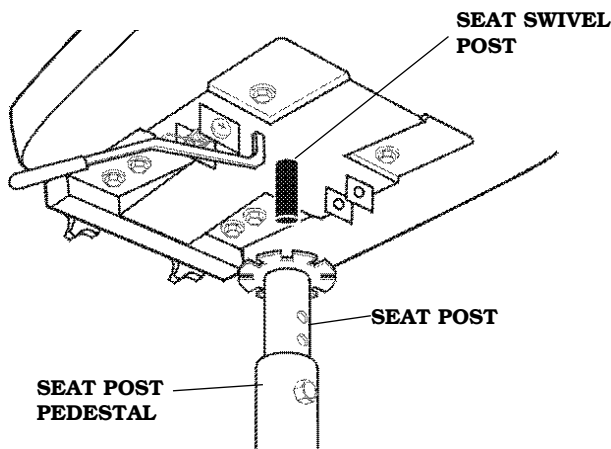


FIGURE 36. INSTALLING THE SEAT

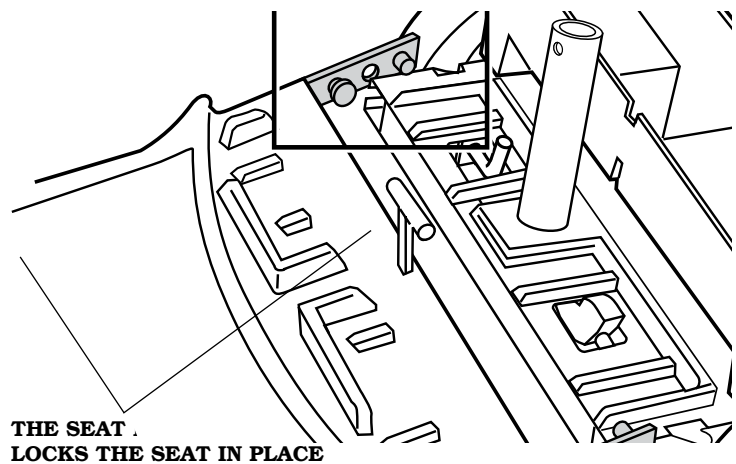


FIGURE 37. SEAT INSTALLED

## 12. ARM INSTALLATION

1. Insert the right arm into the arm bracket. See figure 38.
2. Tighten the right arm bracket adjustment knob.
3. Insert the left arm into the arm bracket.
4. Tighten the left arm bracket adjustment knob.

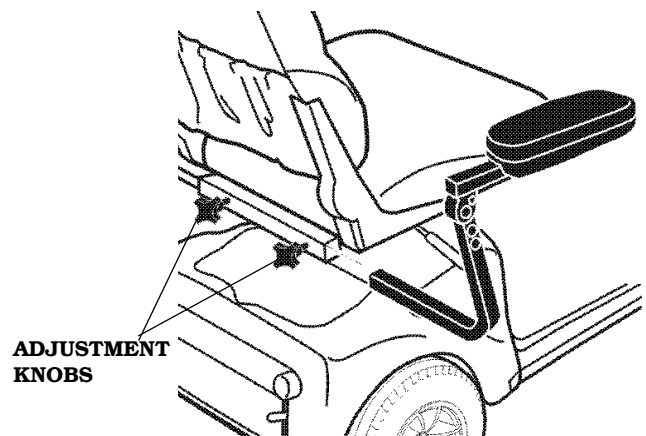


FIGURE 38. ARM INSTALLATION

Your Golden Companion is now successfully assembled.

# TRANSPORTING YOUR COMPANION

---



COMPANION  
FIGURE 40



COMPANION II  
FIGURE 41



FOUR-WHEEL COMPANION II  
FIGURE 42

**NOTE: All Golden Companion scooters (see figures 40, 41, and 42) can be equipped with docking devices for loading onto a vehicle by means of a mechanical lift or hoist.**

**Contact your Golden Technologies, Inc. dealer for more information concerning docking devices and scooter lift devices.**

## To Transport Your Companion:

- Disassemble or fold down the seat and tiller (see section VII. "Disassembly") as close as possible to the loading area of the vehicle to be used for transporting your scooter.
- The degree to which you disassemble your Companion or fold the seat and tiller depends on the size and shape of the cargo area of the transporting vehicle.
- Do not lift your Companion by its plastic body parts. Breakage of these parts is not covered by the warranty.
- Do not use the tires or wheels to lift the rear carriage. The carriage may rotate and cause injury or damage.
- Moving blankets or other forms of padding may be used to protect your Companion during transportation.

**WARNING:** If you are using a mechanical lift to load your Companion onto the transporting vehicle, the batteries must remain installed in the scooter. This may cause the scooter to disassemble and cause injury or damage.



**WARNING:** If your scooter and its components are not properly and securely stowed during transportation, the scooter or the components may move or become airborne and cause injury or damage.



# DIAGNOSTICS

The diagnostics feature of your Golden Companion's "Rhino" microprocessor-based motor control board functions as follows:

- Any fault condition on the "Rhino" controller or on an associated system will cause the Power-on/diagnostics LED (see figure 43) to flash.
- The flashing of the LED occurs as one flash or as a series of flashes separated by a two-second pause.
- The number of flashes in each series is referred to as the "Flash Code."
- The flash code indicates the nature of the condition or fault.

## THE FLASH CODES

### 1 Flash

- Indicates that the battery voltage (with the thumb levers in the neutral position) is below 23.3 volts.
- The batteries need to be charged.
- Your Companion will continue to operate until the voltage falls to 17.5 volts.
- As the voltage drops you will experience a power loss.

**Remedy:** Charge your Companion's batteries. See section XI. "Care and Maintenance."

### 2 Flashes

- Indicates that the battery voltage has dropped to 17.5 volts.
- At this voltage your scooter will cease operation.
- If you have charged the batteries and the condition continues, one or both of the scooter's batteries may be at fault.
- The continuance of this condition after you have charged your Companion's batteries may also indicate a problem with the battery charger.

**Remedy:** Consult your authorized Golden Technologies, Inc. dealer.

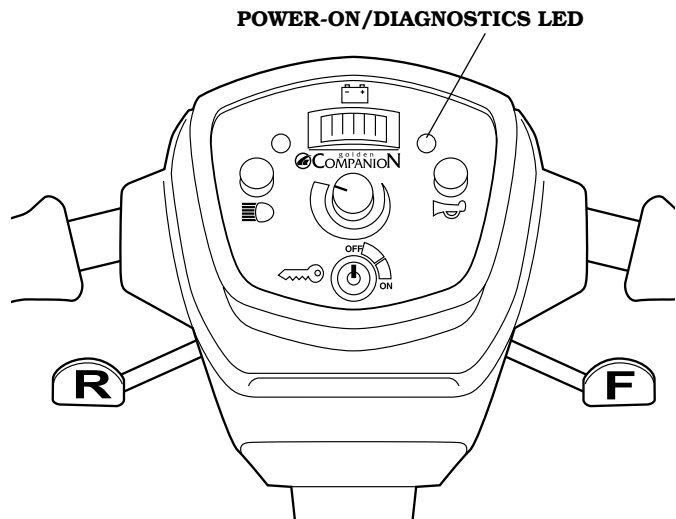


FIGURE 43. CONTROL PANEL DIAGNOSTICS

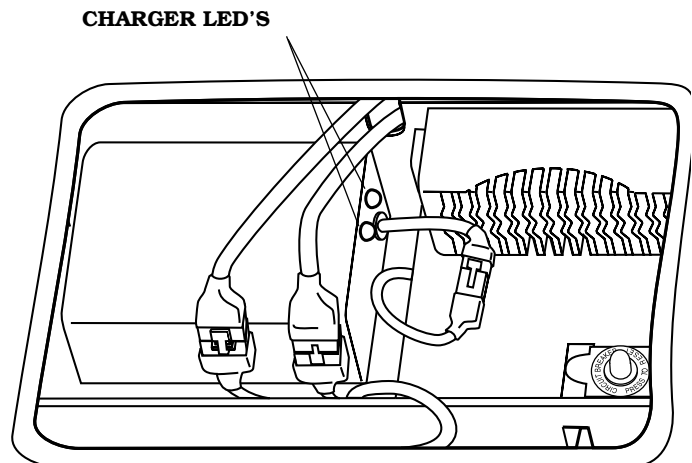


FIGURE 44. CHARGER LED'S

# DIAGNOSTICS

---

## 4 Flashes

- Indicates that the motor control board is overloaded and overheated.
- An overload can occur if you have been driving your Companion for an extended period of time up an incline that is steeper than the recommended grade (see “Specifications” on page 9).
- An overload can occur if your Companion is carrying a payload that is higher than the recommended weight capacity. See “Specifications” on page 9 for your Companion model weight capacity.
- An overload can also occur if your Companion’s tires are under inflated. Underinflated tires cause the motor to draw large amounts of current. This high draw overheats the motor control board.
- Your scooter will not operate until the motor control board cools back to its operational temperature range.

### Remedy:

- Turn off your Companion’s key switch and allow the motor control board to cool to its operational range.
- Check the tire pressure. See section XI. “Care and maintenance.”
- Have your authorized Golden Technologies, Inc. dealer perform a battery load test.

## 5 Flashes

- Indicates a brake problem.
- The brake handle may be in the disengaged position. See section VIII. “Assembly.”
- The brake or the brake wiring may be damaged.
- For safety reason, your scooter was designed to cease operation until the problem is corrected.

### Remedy:

- Make certain that the brake handle is in the engaged position. See section VIII. “Assembly.”
- Turn the key switch to the “Off” position to stop the flash code.
- Set brake to the up “engaged” position.
- Turn the key back to the “On” position.
- If the above remedies do not solve the problem, contact your authorized Golden Technologies, Inc. dealer.

# DIAGNOSTICS

---

## 6 Flashes

- Indicates that the thumb levers (see section V. "Operation") were not in the neutral position when the key switch was turned to the "On" position.
- May indicate that the PADDLE potentiometer is out of adjustment.

### Remedy:

- Turn the key switch to the "Off" position.
- Make certain that the thumb control levers are in the neutral position.
- Turn the key switch to the "On" position.
- If the above procedure does not solve the problem, contact your authorized Golden Technologies, Inc. dealer.

## 7 Flashes

- Indicates a problem with the thumb control levers.
- May also indicate a problem with the potentiometer (speed control).
- Your scooter will not operate until the problem is corrected.

### Remedy:

- Make certain that all electrical connectors are firmly and correctly joined.
- If the connectors are all firmly joined and the problem is not solved, contact your authorized Golden Technologies, Inc. dealer.

## 8 Flashes

- Indicates a motor voltage problem.
- Your scooter will not operate until the problem is corrected.
- Remedy: Contact your authorized Golden Technologies, Inc. dealer.

## 9 Flashes

- Indicates other internal errors or faults.
- Your scooter will not operate until the problem is corrected.
- Remedy: Contact your authorized Golden Technologies, Inc. dealer.

# CARE AND MAINTENANCE

## MAIN CIRCUIT BREAKER

The 50-amp main circuit breaker reset button is located on the rear electrical enclosure. See figure 45.

**WARNING:** Do not attempt electrical repairs. Consult Golden Technologies, Inc. or your authorized Golden Technologies, Inc. dealer.



If, for no apparent reason, your Companion stops operating, the main circuit breaker may have tripped.

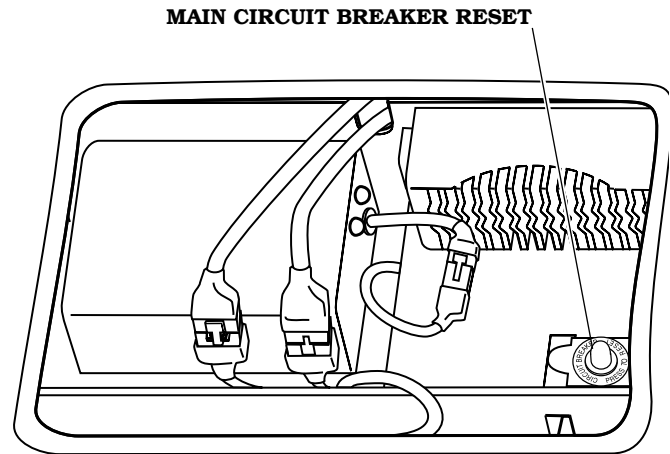


FIGURE 45. MAIN CIRCUIT BREAKER RESET

### Possible causes for the main circuit breaker to trip:

- Low tire pressure can cause the motor to overload and trip the main circuit breaker. (see “Wheels and Tires” in this section of this manual and see section X. “Diagnostics”)
- Run-down batteries.

As you operate your Companion, battery voltages go down and battery current must rise to satisfy the demands of the motor and of other electrical devices operating on your scooter. This can cause a heavy current draw that will trip the main circuit breaker.

### Remedy:

- Recharge your Companion’s batteries. See “Charger and Batteries” in this section of this manual.
- If the problem continues, have your authorized Golden Technologies, Inc. dealer load test the batteries.
- If the batteries are good, the charger may be the problem. Consult your authorized Golden Technologies, Inc. dealer.

### Resetting the Main Circuit Breaker

If the main circuit breaker trips as a result of run-down batteries or because of a temporary overload, reset the circuit breaker:

1. Wait a minute or so for the motor control board to return to the normal operating temperature range.
2. Make certain that the key switch is set to the “Off” position.
3. Press in on the main circuit breaker reset button. See figure 45.

**NOTE:** If the main circuit breaker continues to trip, there is probably an underlying electrical fault that needs attention.



## CARE AND MAINTENANCE

---

- Contact your authorized Golden Technologies, Inc. dealer.
- Do not keep resetting the main circuit breaker without correcting the underlying electrical problem.

### WHEELS AND TIRES

Golden Companion scooters are equipped with split-rim wheels with pneumatic and foam-filled tires.

**WARNING:** Golden Technologies, Inc. does not recommend that you disassemble the tire from the splitrim wheels. Consult your authorized Golden Companion dealer for assistance with this matter. If you must disassemble a pneumatic tire from the split rim, the tire must be completely deflated. If the tire is not completely deflated, serious injury may occur.

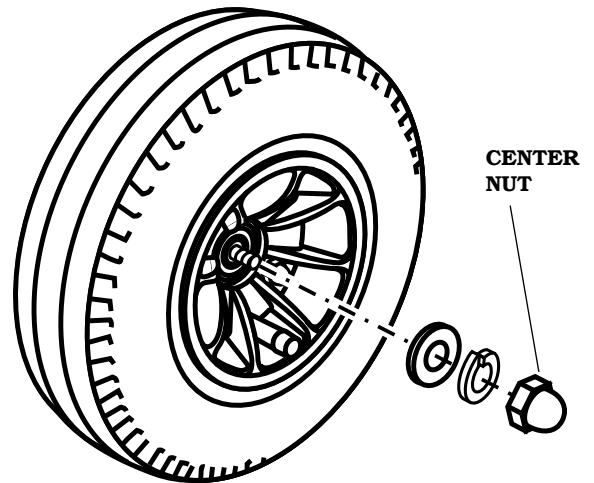


FIGURE 46. WHEEL REMOVAL

### To Change a Tire Assembly:

1. Completely deflate the tire. Failure to do so can cause injury.
  - The front tire on the Companion I is a solid tire. Deflation is not possible.
2. Remove the center nut. See figure 46.
3. Remove the tire assembly from the scooter.
4. Install a new tire assembly or a repaired tire assembly (see the warning on this page) onto the axle.
5. Install and tighten the center nut.
6. Inflate the tire to the proper pressure.
  - Rear pneumatic tires should not exceed 50 psi (pounds per square inch). This is a maximum tire pressure. Tires should never be inflated beyond that pressure.
  - The front tire on the Companion II requires 50 psi.
  - The front tire on the Companion I is a solid tire. It does not require air.

**NOTE:** Under-inflated tires will cause significant loss of operational range and will also cause the motor control board to overheat.

# CARE AND MAINTENANCE

---

## IF YOUR COMPANION DOES NOT OPERATE

- Make certain that the brake handle is set to the engaged position. See section VIII, figure 32, page 23, "Assembly."
- Check the main circuit breaker. If necessary, reset the circuit breaker.
- Make certain that the speed adjustment dial is at the desired setting.
- Make certain that the key switch is set to the "On" position.
- If none of the above procedures solve the problem, contact your authorized Golden Technologies, Inc. dealer.

## LUBRICATION

All of the bearings on your Golden Companion are permanently lubricated and sealed.

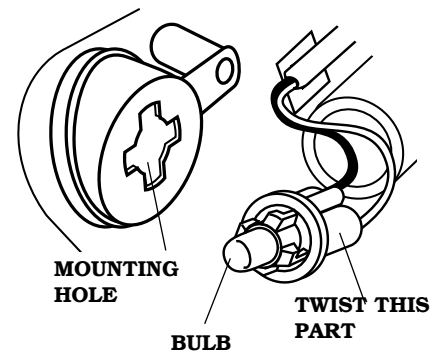
- No lubrication is required.

## LIGHTING SYSTEM

Golden Companion scooters are equipped with a headlight and two taillights. These lights are intended to enhance user safety.

### Taillight Replacement

1. Remove the seat. See section VII. "Disassembly."
2. Disconnect the taillight connector. See section VII. "Disassembly."
3. Remove the rear shroud. See section VII. "Disassembly."
4. Turn the shroud upside down.
5. Twist the gray rubber part of the light assembly counter-clockwise.
6. Pull the assembly out of the mounting hole.
7. Pull the old bulb (do not twist) straight out of the assembly.
8. Push (do not twist) a new bulb into the assembly.
9. Insert the assembly into the mounting hole.
10. Twist the assembly clockwise to lock it in place.
11. Replace the shroud. See section VIII. "Assembly."
12. Connect the taillight connector. See VIII "Assembly."
13. Replace the seat. See section VIII. "Assembly."



**LIGHT BULB REPLACEMENT**

### Headlight Replacement

To replace the headlight bulb, the tiller shroud will need to be removed. Consult your authorized Golden Technologies, Inc. dealer with regard to this bulb replacement.

# CARE AND MAINTENANCE

## CHARGER AND BATTERIES

### To Charge the Batteries:

1. Make certain that the key switch is in the "Off" position. See figure 9 on page 14.
2. Lift the trunk lid. See figure 3 on page 8.
3. Uncoil the charger AC cord.
4. Plug the charger AC cord into a working electrical outlet.
5. Two amber LEDs (Light Emitting Diode) will illuminate. See figure 47.
6. When the charging cycle is complete a green LED will illuminate, indicating a complete charge. One amber LED will remain illuminated.
7. Unplug and stow the charger cord back in the trunk.
8. Close the Trunk lid.

**WARNING:** The batteries used on your scooter hold a substantial amount of power. Shorting of the terminals can result in burns or other injuries and in damage to the batteries and to the electronic components of your Companion. Always use care and caution when handling the batteries.

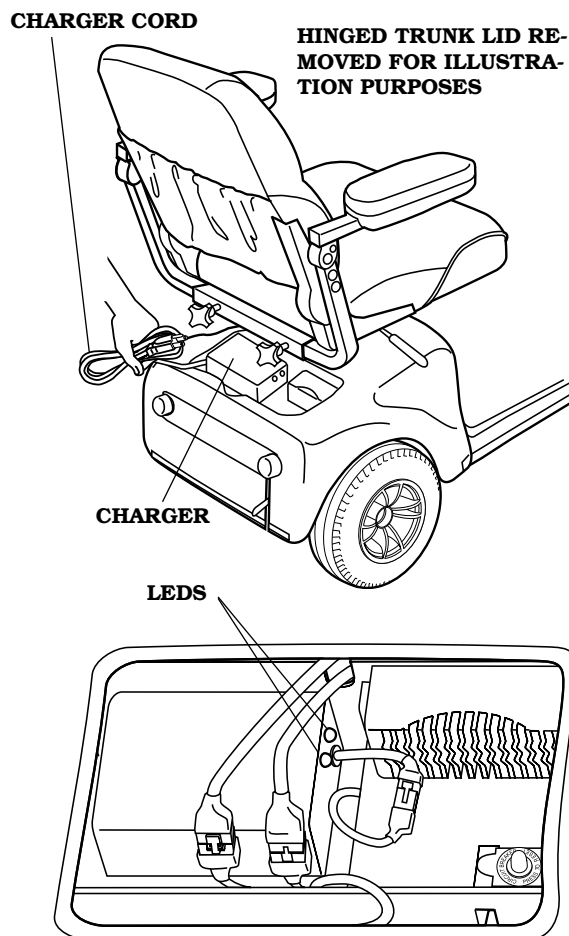


FIGURE 47. CHARGING THE BATTERIES

### Battery Charging Information

- If you are not going to use your Companion for an extended time, fully charge the batteries before storing your scooter. The batteries can be left unmaintained for up to six months if they are first fully charged and kept at room temperature (approximately 72° F).
- Ideally, if you are not going to use your Golden Companion for an extended period of time, charge the batteries overnight at least once every two weeks.

## CARE AND MAINTENANCE

---

- If you have not used, your Golden Companion for more than three days, make certain that you charge the batteries on the night before you are going to use your scooter. This will ensure that you start operating your scooter with a full charge on the batteries.
- If you use your scooter during the day, charge the batteries as soon as you are finished using it. The charger is fully automatic. You cannot overcharge the batteries. Following this procedure will prepare your Companion for a full day's service each day.
- If you use your scooter sparingly over the course of the day, and have not reduced the charge on the batteries by any great amount, it may not be necessary to charge the batteries every night.

### **Battery Maintenance**

GEL-cell or AGM deep-cycle batteries are used for operating Golden Companion scooters.

- These batteries are maintenance free.
- There is no danger of spillage or leakage, so these batteries are safely transportable on aircraft, busses, trains, etc.
- By following the procedures set out in this manual, you can expect extended life from your Golden Companion's batteries.

If the battery terminals become corroded:

- Corrosion can cause a poor electrical connection and operational problems.
- Clean corroded battery terminals with a stiff brush and a solution of baking soda and water.

### **Battery Cable Installation**

1. Use a machine screw, a split washer, and a nut to attach the red cable ring terminal to the positive (+) battery terminal.
2. Use a machine screw, a split washer, and a nut to attach the black cable ring terminal to the negative (-) battery terminal.

# CARE AND MAINTENANCE

---

## CLEANING YOUR COMPANION

### Tires

- Clean the tires with ordinary kitchen-type cleaners and a damp cloth.
- Do not use solvents on the tires. Solvents can cause the tire material to break down or become too soft.
- Check tire pressure every 3 weeks.

### Body

The body (rear shroud, tiller shroud, deck shroud) of your Golden Companion is formed ABS plastic and coated with a durable automotive-type finish.

- Clean the body of your scooter as you would clean a car.
- Use cool water mixed with a mild soap to remove dirt and oils.
- Use a nonabrasive car wax on the ABS body parts.
- Buff by hand with a soft cloth.

### Seats

Vinyl Seat:

- Clean with a mild soap or mild detergent and a damp cloth.
- A vinyl cleaner may also be used.

Cloth Seat:

- Clean with a damp cloth.
- You may also use an upholstery cleaner.
- Make certain that you do not soak the cloth seats. The interior foam rubber will hold water.

### Deck Carpet

- Wash in a heavy-duty clothes washer.
- Or, spray clean with an automotive-type wand after the carpet has been removed from the scooter.
- The deck carpet is held in place with hook and loop fasteners. Simply pull up on the carpet to remove it.

# WARRANTY

---

## LIFETIME LIMITED WARRANTY

### Lifetime Warranty

- Structural frame components including main frame, rear frame, fork, seat post and frame welds.

### Two-year Warranty

- Drive train (transaxle assembly) 100% replacement of parts cost
- Battery charger 100% replacement of parts cost

### One-year Warranty

- All other parts

This warranty excludes the following:

1. Battery manufacturer provides a six-month limited warranty
2. Tires, except that warranty provided by the tire manufacturer
3. ABS plastic shrouds
4. Damage caused by battery fluid spillage or leakage
5. Damage caused by:
  - A. Abuse, misuse, accident or neglect
  - B. Improper operation, maintenance or storage
  - C. Commercial use or use other than normal
  - D. Repairs and/or modifications made to any part without specific consent from Golden Technologies, Inc.
  - E. Circumstances beyond the control of Golden Technologies, Inc.
6. Labor, service calls shipping and other charges incurred in repair of the product unless specifically authorized by Golden Technologies, Inc. This warranty does not include any labor charges incurred in replacement part installation.

Implied warranties, including those of merchantability and fitness for a particular purpose, are excluded. Liabilities for consequential damage are excluded.

This warranty gives you specific rights and you may also have other rights which vary from state to state.

To obtain warranty parts and service, you must have a warranty registration card filed with Golden Technologies, Inc. Contact your authorized Golden Companion dealer for authorized service.

The warranty period commences on the purchase date from the Seller/Dealer. **If the product is rented or otherwise not sold to the consumer, the warranty commences on the invoice date from Golden Technologies, Inc.**

# GOLDEN COMPANION WARRANTY REGISTRATION

Please type or print clearly.

Serial # _____	Date Purchased: _____
Owner's Name: _____	
Address: _____	
City: _____	State: _____ Zip: _____
Email: _____	

**Failure to return warranty registration card could result in significant delays in obtaining service.**

## Additional Required Owner Information

Please indicate your understanding of your scooter by completing the following information.

\_\_\_\_\_ I have read and fully understand:

\_\_\_\_\_ My Golden Companion Owner's Manual, especially sections on operating instructions, safety guidelines, maintenance and battery instructions.

\_\_\_\_\_ Scooter Warranty

\*Battery instructions — only sealed lead acid or gel cell type batteries should be used. Batteries must also be sealed, deep cycle and maintenance-free or battery will hinder vehicle performance and void the warranty.

\_\_\_\_\_ My Golden Companion dealer has instructed me on how to operate my scooter.

Signature: \_\_\_\_\_

Telephone: \_\_\_\_\_

Comments: please type or print. \_\_\_\_\_

\_\_\_\_\_  
\_\_\_\_\_

FOLD HERE FIRST

---

---

---

*PLACE  
STAMP  
HERE*



401 BRIDGE ST  
OLD FORGE PA 18518

FOLD HERE SECOND





Companion I



Companion II, 3-wheel



Companion II, 4-wheel



YOUR LIFE IN MOTION

Golden Technologies  
401 Bridge Street  
Old Forge, PA  
Tel: 800-624-6374  
Fax: 800-628-5165  
[www.goldentech.com](http://www.goldentech.com)